

# SKUTT

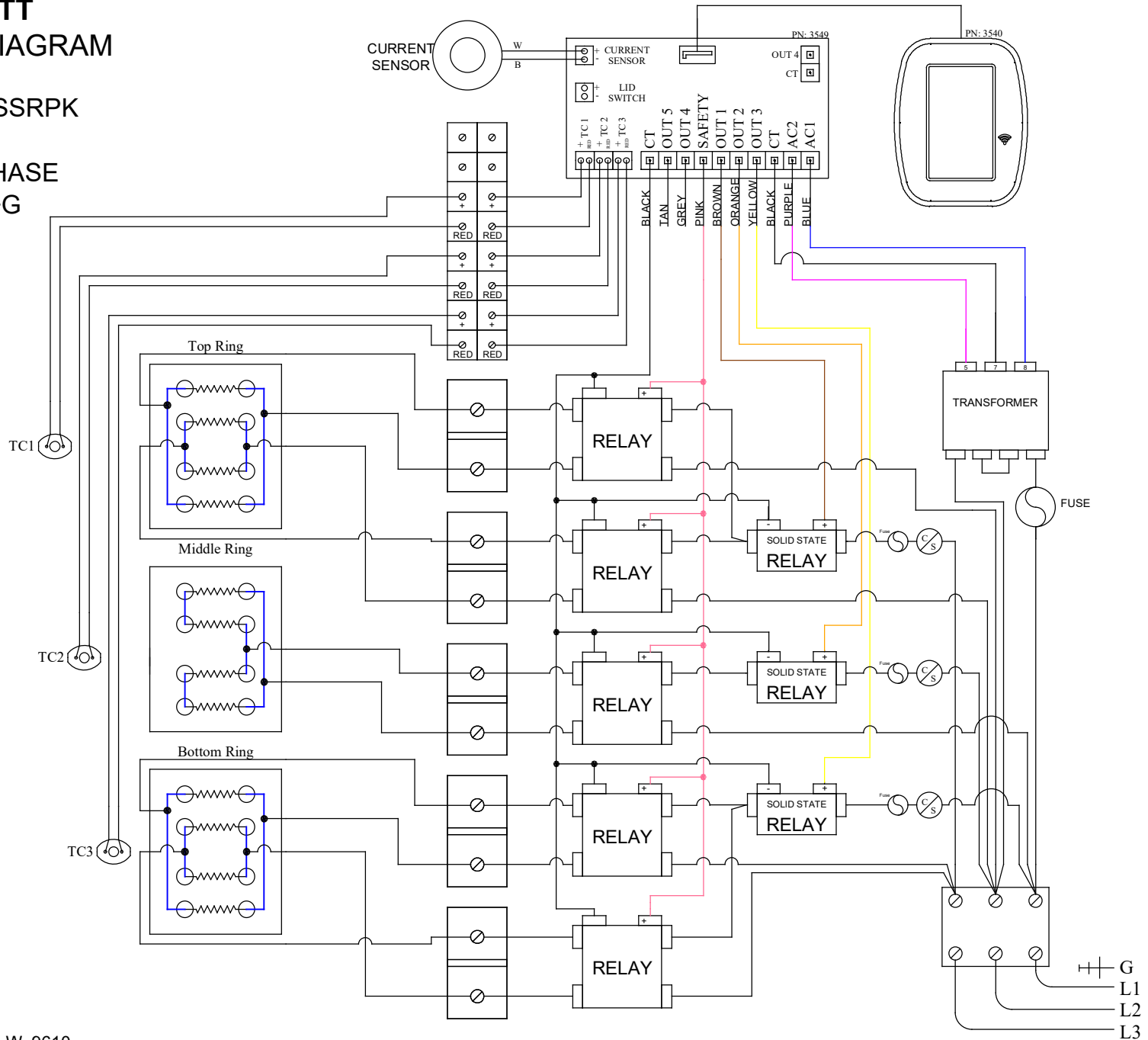
## WIRING DIAGRAM

MODEL:

• KMT-1627 SSRPK

PHASE: 3-PHASE

WIRES: 3W+G



WIRING DIAGRAM: W\_9610

REV: A | DATE: 05/22/19