

# SKUTT

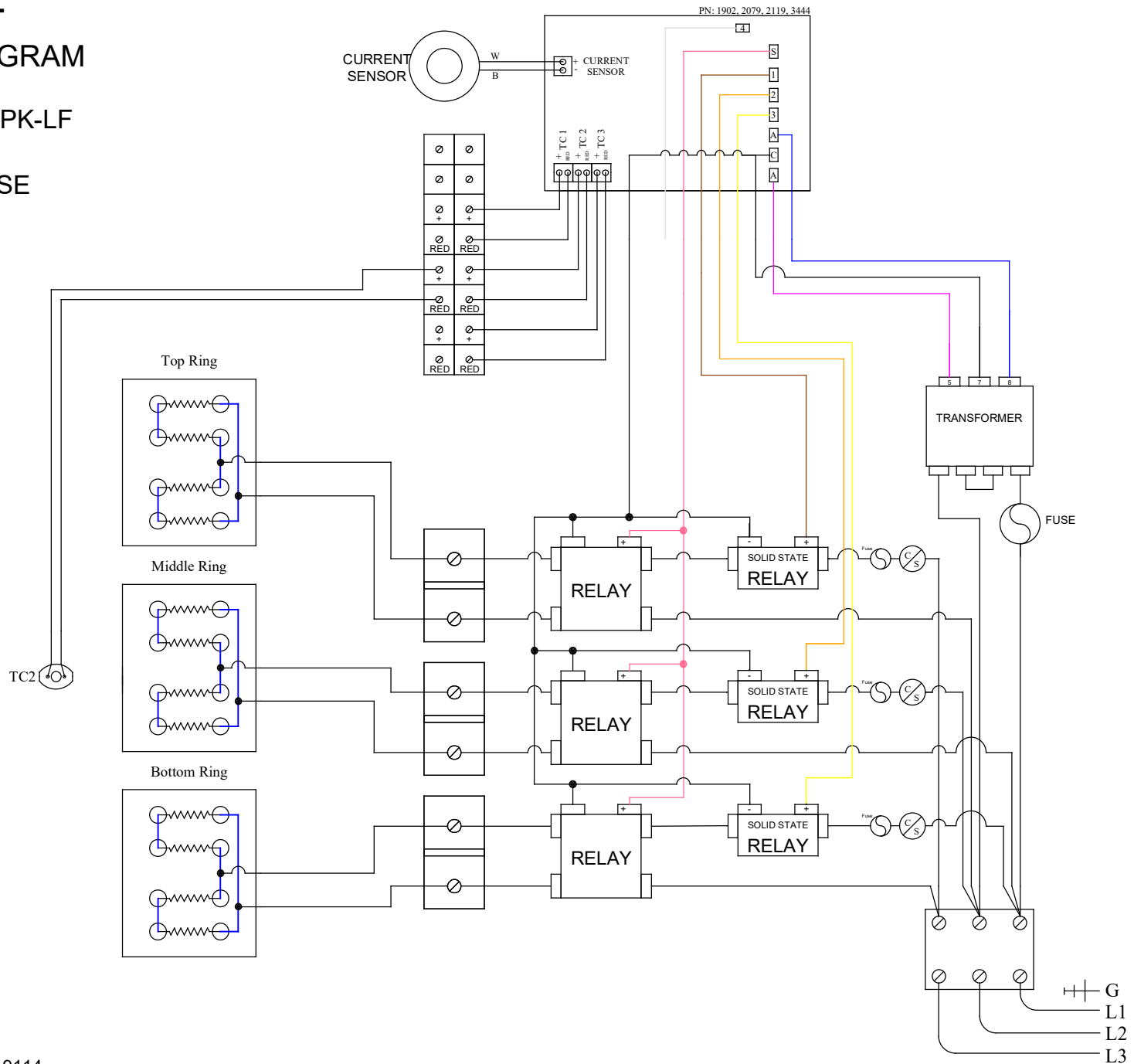
## WIRING DIAGRAM

MODEL:

• KM-1627 SSRPK-LF

PHASE: 3-PHASE

WIRES: 3W+G



WIRING DIAGRAM: W\_9114

REV: A | DATE: 05/22/19