

SKUTT

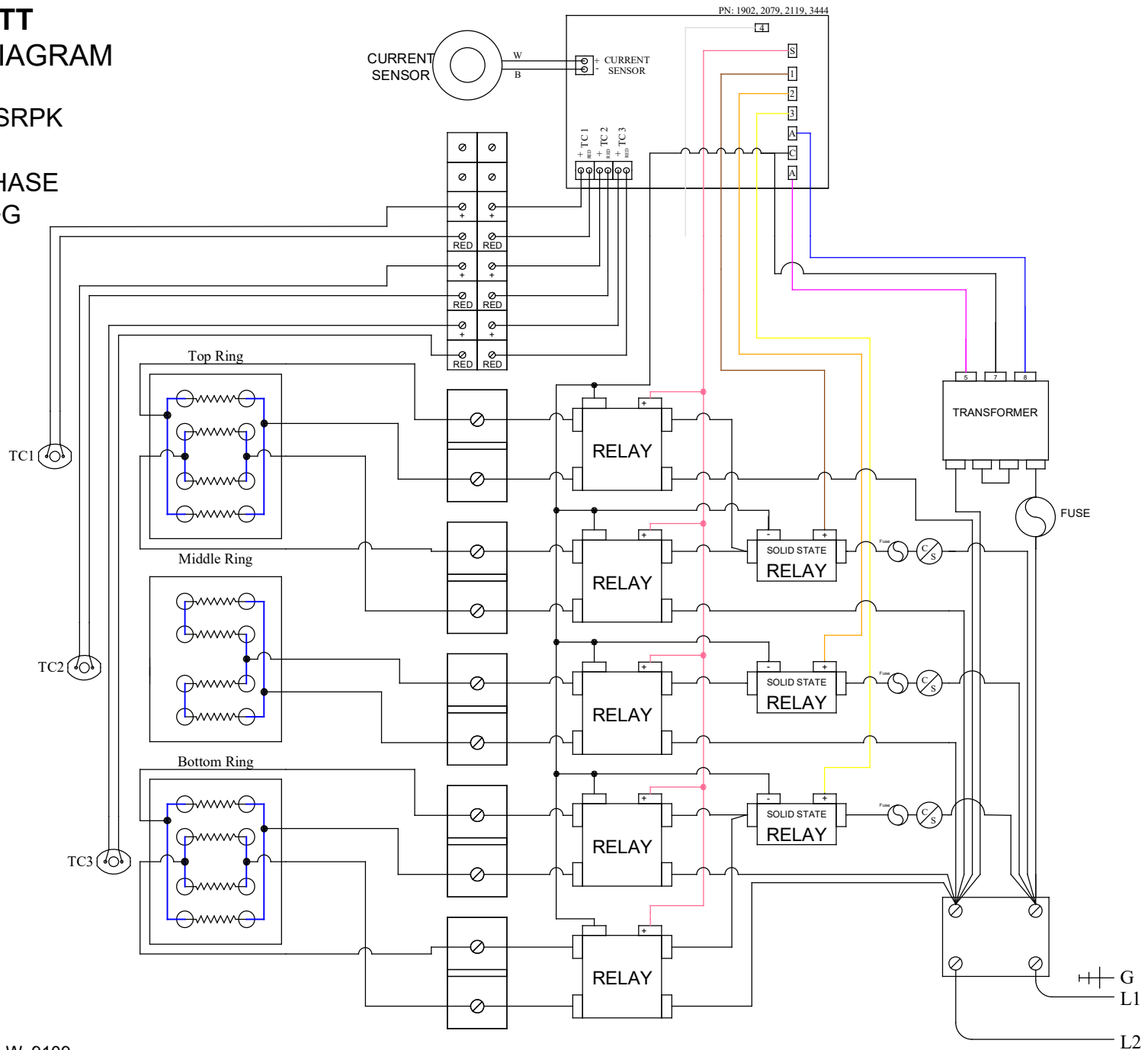
WIRING DIAGRAM

MODEL:

• KM-1627 SSRPK

PHASE: 1-PHASE

WIRES: 2W+G



WIRING DIAGRAM: W_9109

REV: A | DATE: 05/22/19