

**SKUTT**

# KilnMaster Manual Addendum

## New Solid State Relays for PK Kilns Require New Wiring Diagrams

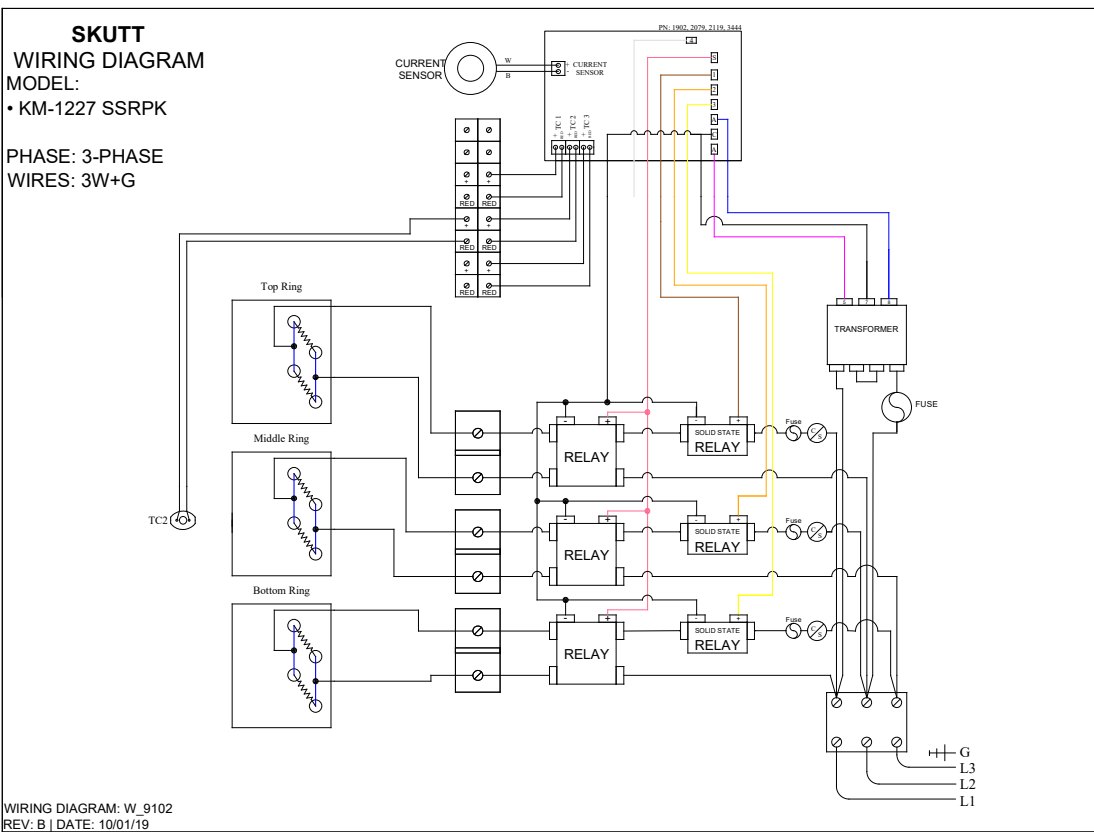
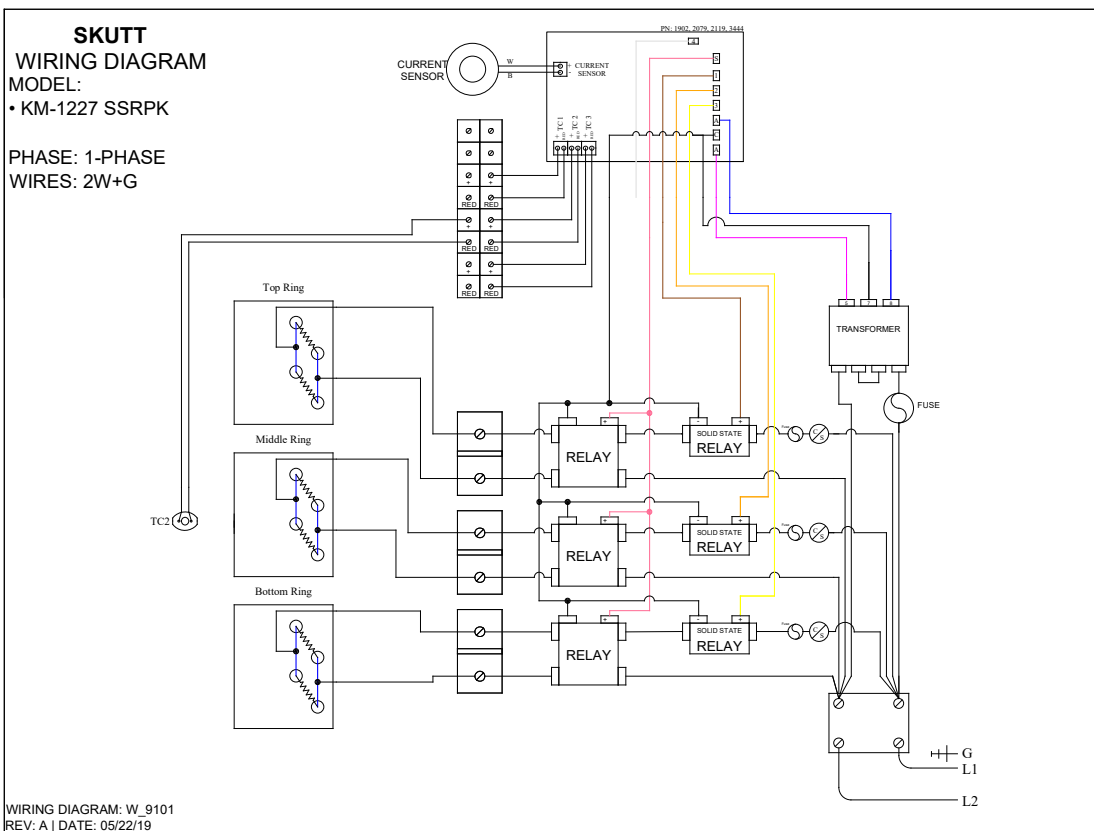
On July 29th, 2019 all Skutt PK Model kilns began being produced with Solid State Relays instead of Mercury Relays. Attached on the following pages are the new wiring diagrams that reflect these changes.

ADDENDUM

(continued)

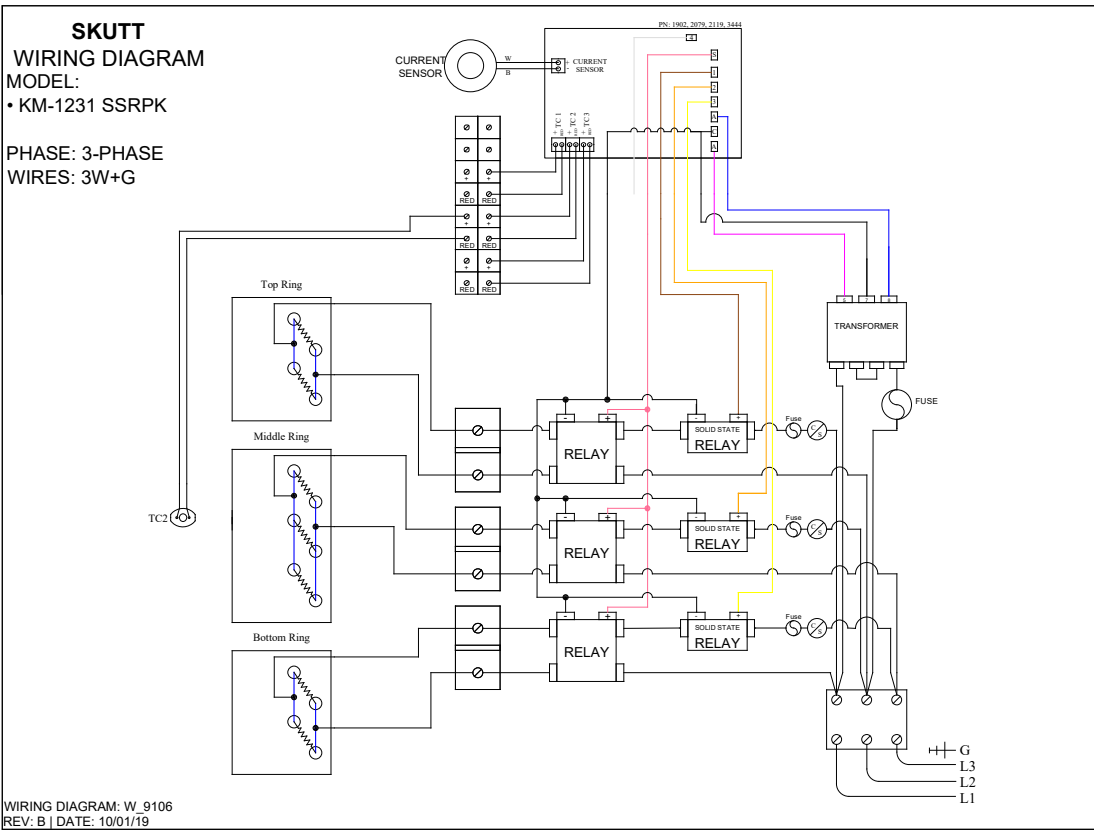
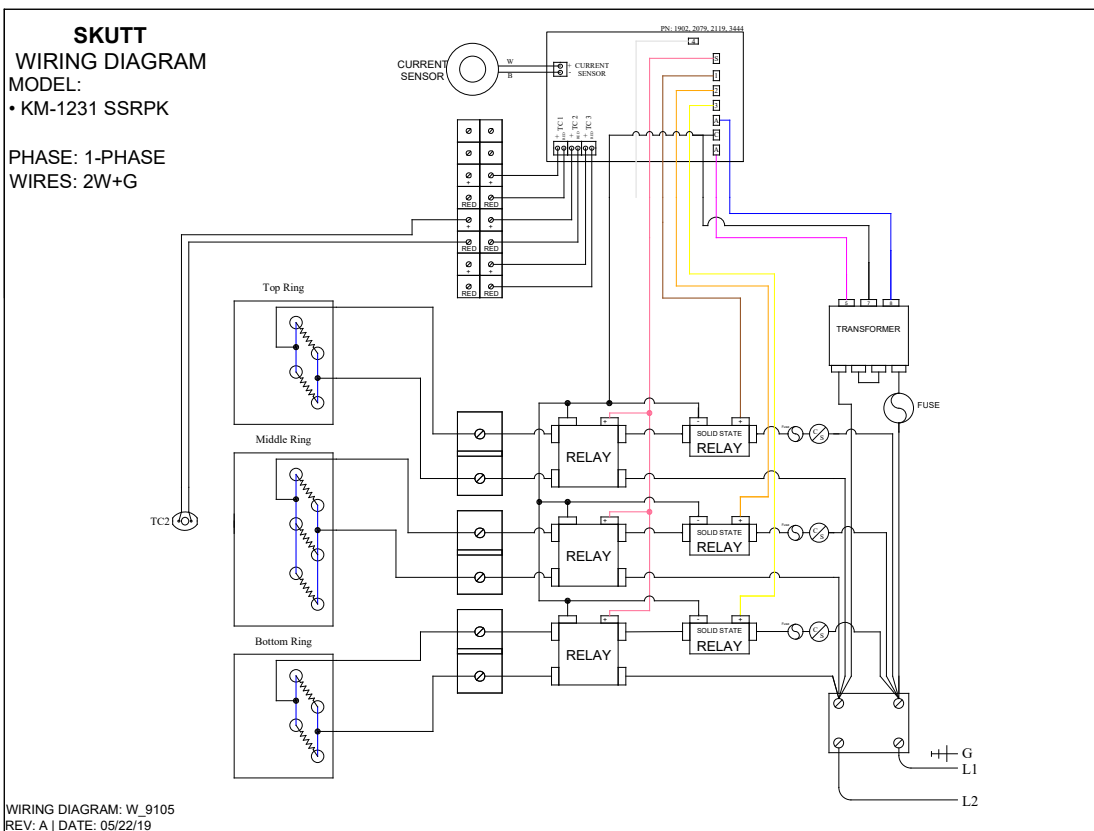
KILNMASTER MANUAL ADDENDUM

ADDENDUM



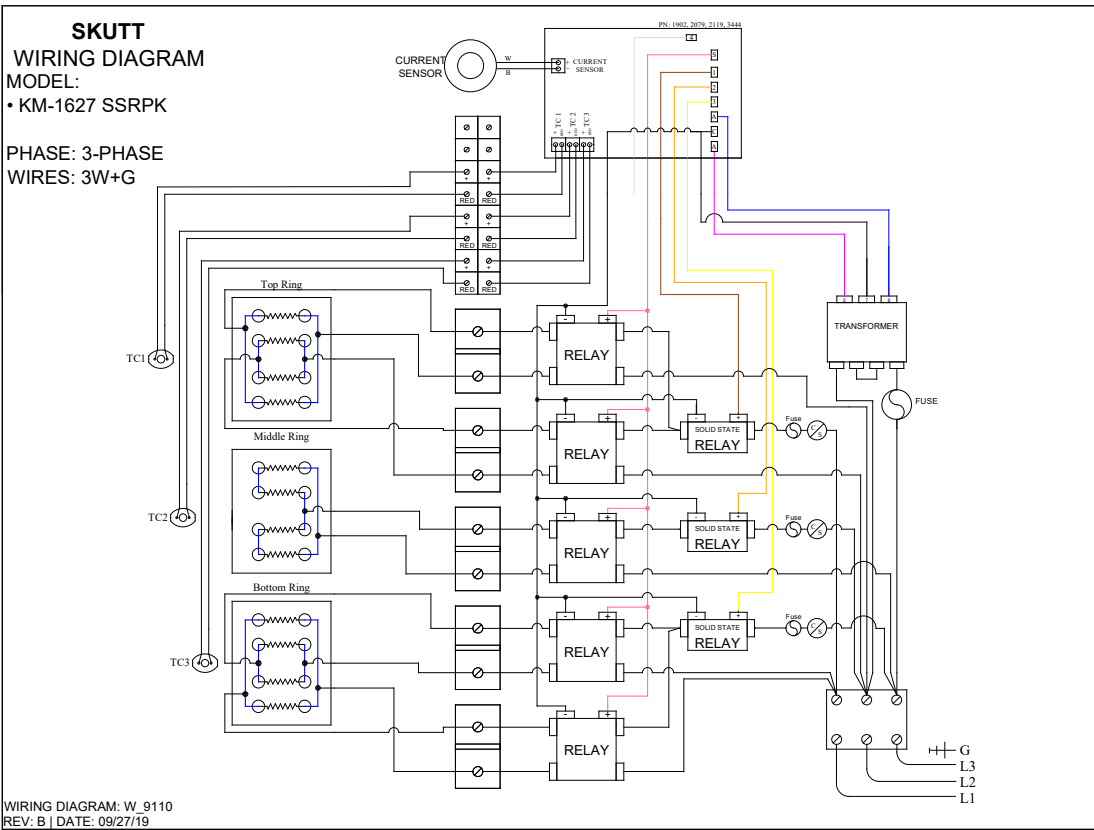
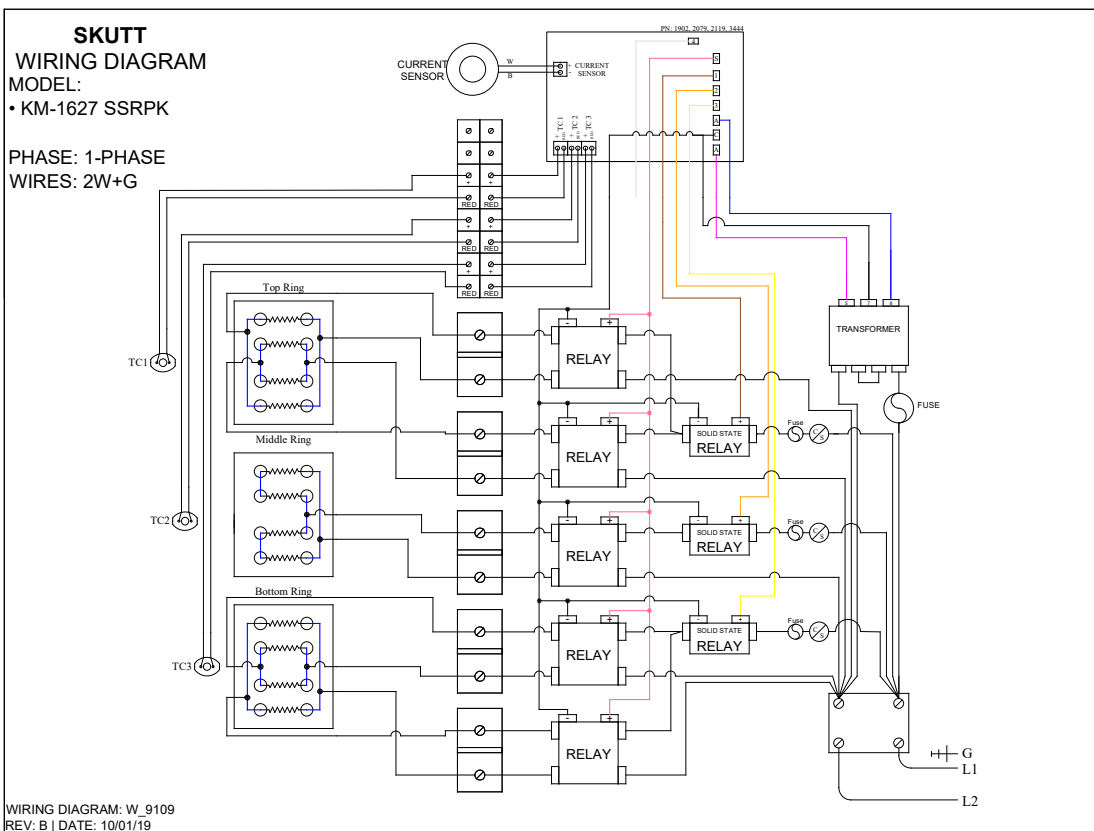
KILNMASTER MANUAL ADDENDUM

ADDENDUM



KILNMASTER MANUAL ADDENDUM

ADDENDUM



KILNMASTER MANUAL ADDENDUM

ADDENDUM

