



KilnSitter Manual Addendum

New 3 Heat Switches Require New Wiring Diagrams

On October 1st, 2018 we began using a new style 3-Heat Switch that is mounts and is wired slightly different. Attached on the following pages are the new wiring diagrams that reflect these changes.

ADDENDUM

(continued)

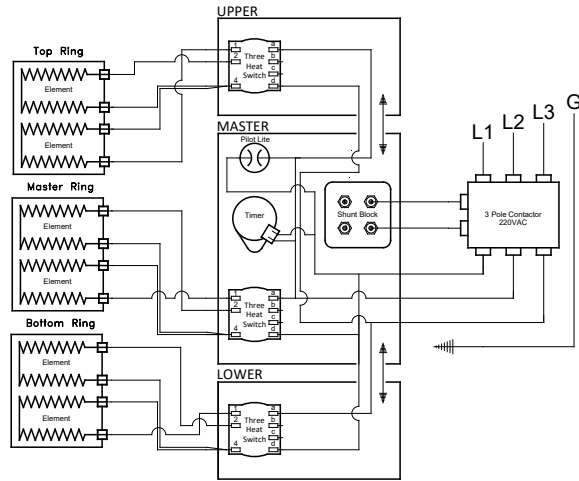
KILNSITTER MANUAL ADDENDUM



WIRING
DIAGRAM
W_0500

MODELS:
 • KS-1227
 • KS-1027
 PHASE: 3 PHASE
 WIRE: 3W+G

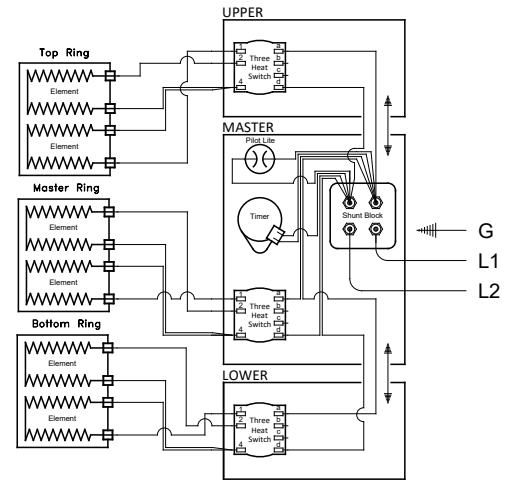
REV: A 08/22/18



WIRING
DIAGRAM
W_0501

MODELS:
 • KS-1227
 • KS-1027
 • KS-1018
 PHASE: 1 PHASE
 WIRE: 2W+G

REV: A 08/22/18



ADDENDUM

KILNSITTER MANUAL ADDENDUM



WIRING
DIAGRAM
W_0502

SKUTT

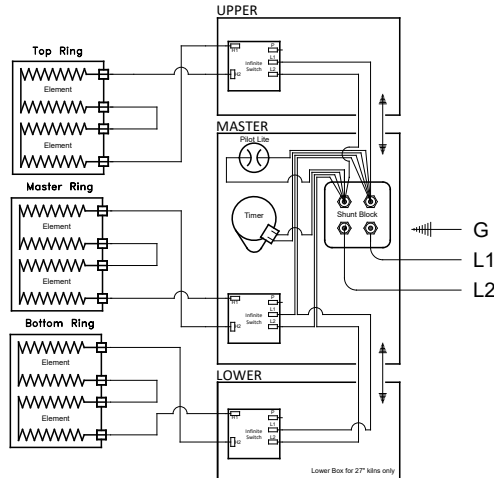
MODELS:

- KS-818
- KS-818WR
- KS-818P
- KS-808PWR

PHASE: 1 PHASE

WIRE: 2W+G

REV: A 08/22/18



ADDENDUM



WIRING
DIAGRAM
W_0503

SKUTT

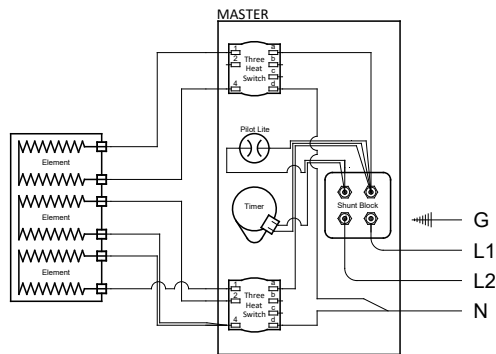
MODELS:

- KS-714

PHASE: 1 PHASE

WIRE: 2W+N+G

REV: A 08/22/18

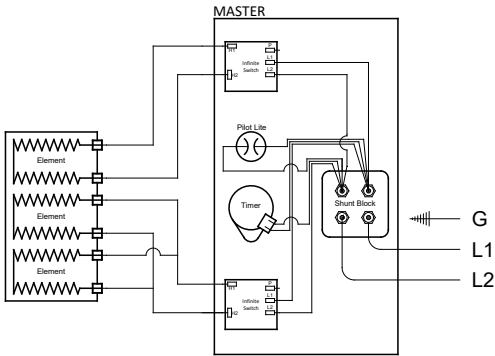


KILNSITTER MANUAL ADDENDUM


 WIRING
 DIAGRAM
 W_0504
SKUTT

MODELS:
 • KS-614-3
 PHASE: 1 PHASE
 WIRE: 2W+G

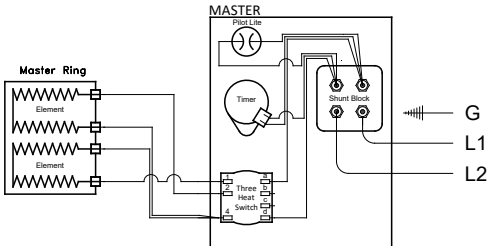
REV: A 08/22/18




 WIRING
 DIAGRAM
 W_0505
SKUTT

MODELS:
 • KS-609
 PHASE: 1 PHASE
 WIRE: 2W+G

REV: A 08/22/18



ADDENDUM