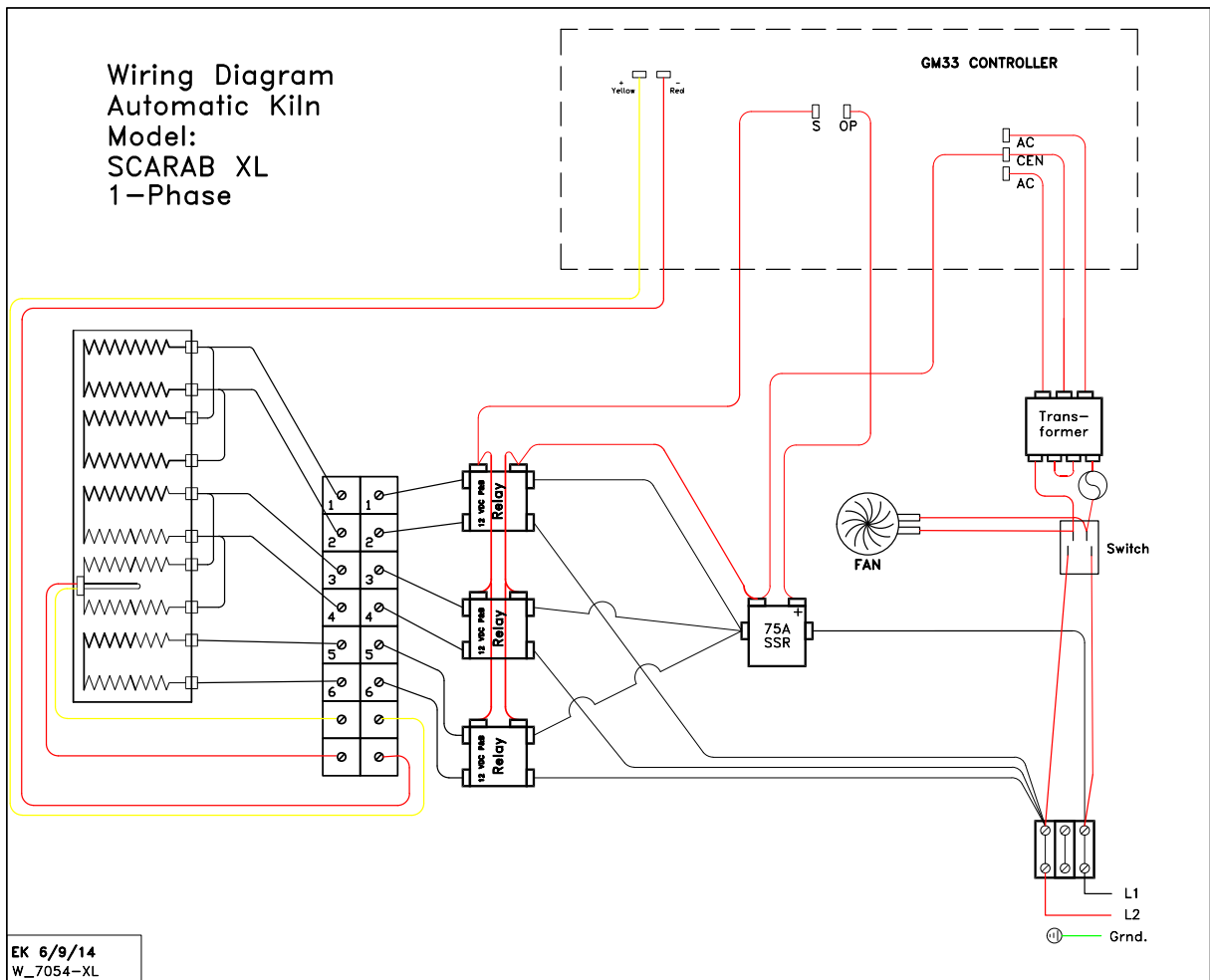




# Scarab XL 1ph

## 700 BOARD WIRING DIAGRAM



WIRING DIAGRAMS