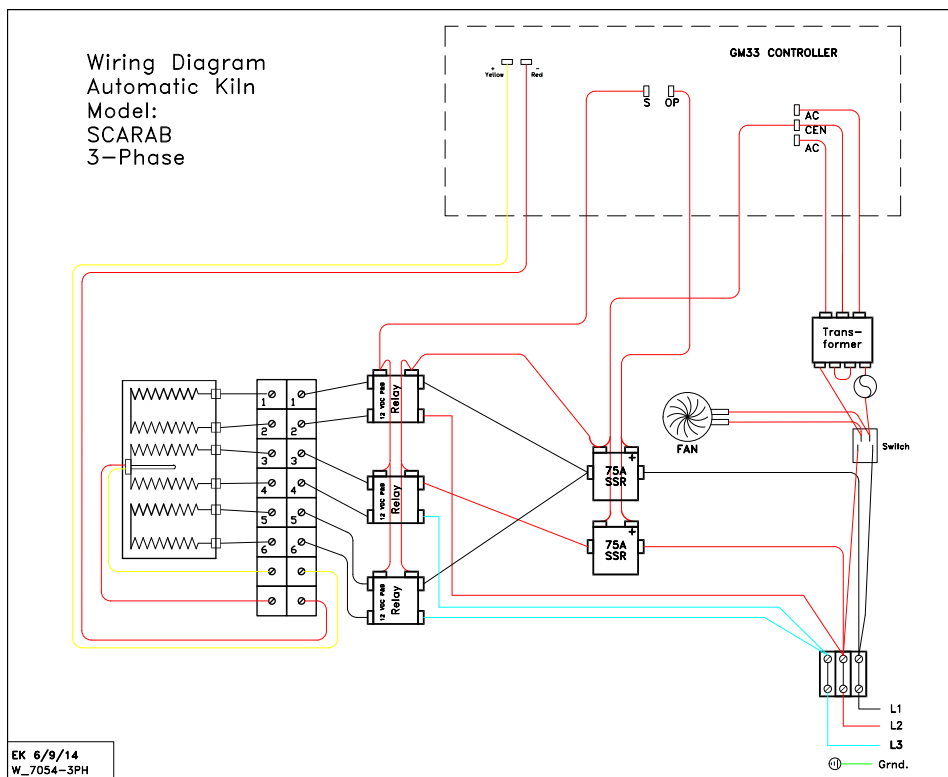
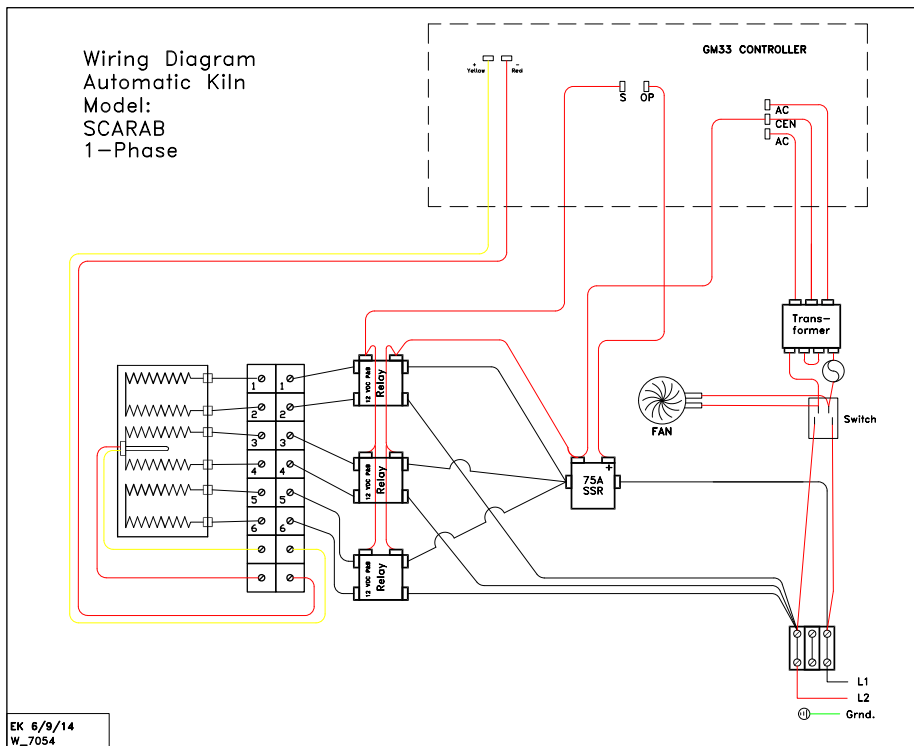




**SKUTT**

# Scarab 1ph Scarab 3ph

## 700 BOARD WIRING DIAGRAM



WIRING DIAGRAMS