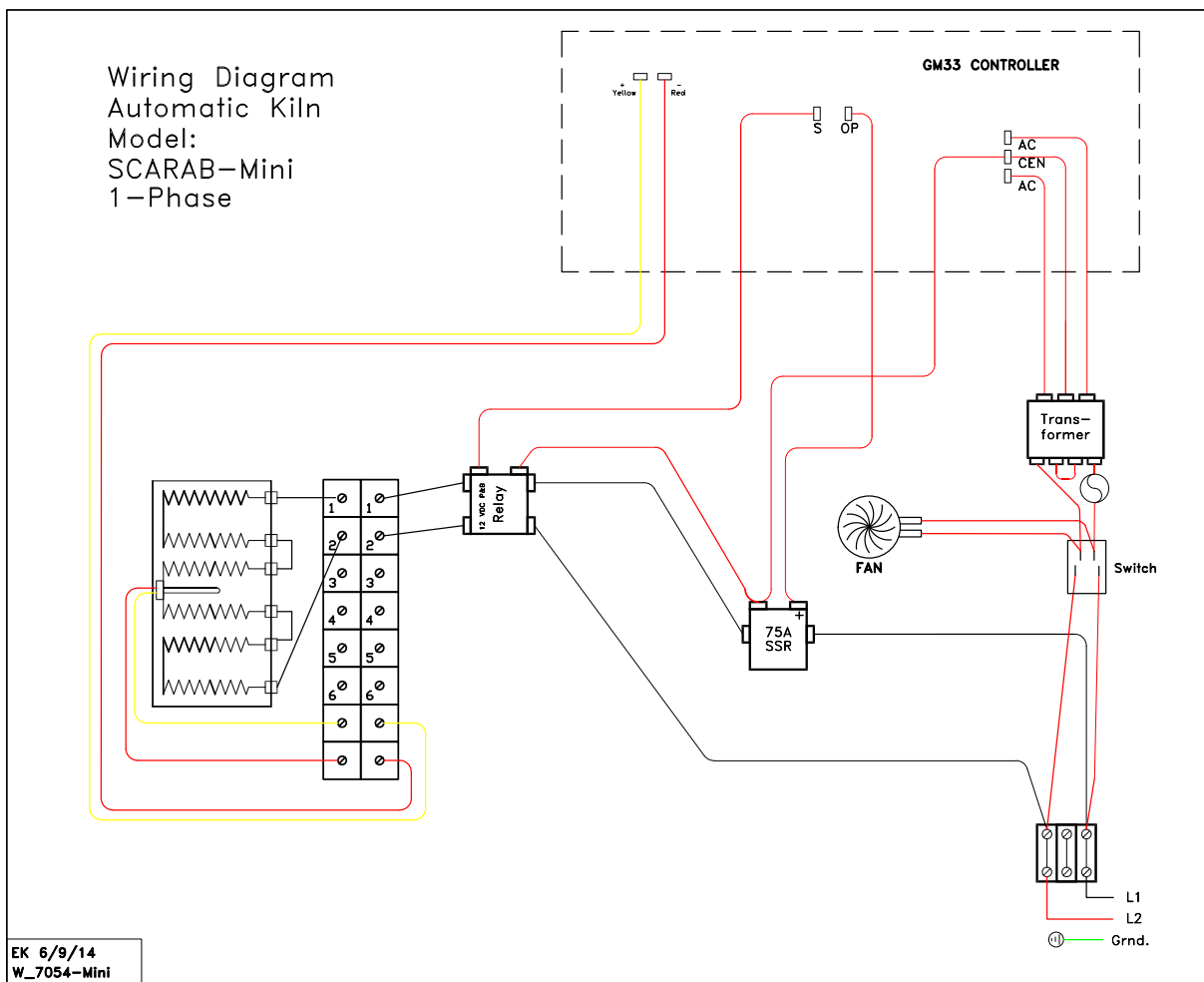




Mini Scarab 1ph

700 BOARD WIRING DIAGRAM

Wiring Diagram
Automatic Kiln
Model:
SCARAB-Mini
1-Phase



EK 6/9/14
W_7054-Mini

WIRING DIAGRAMS